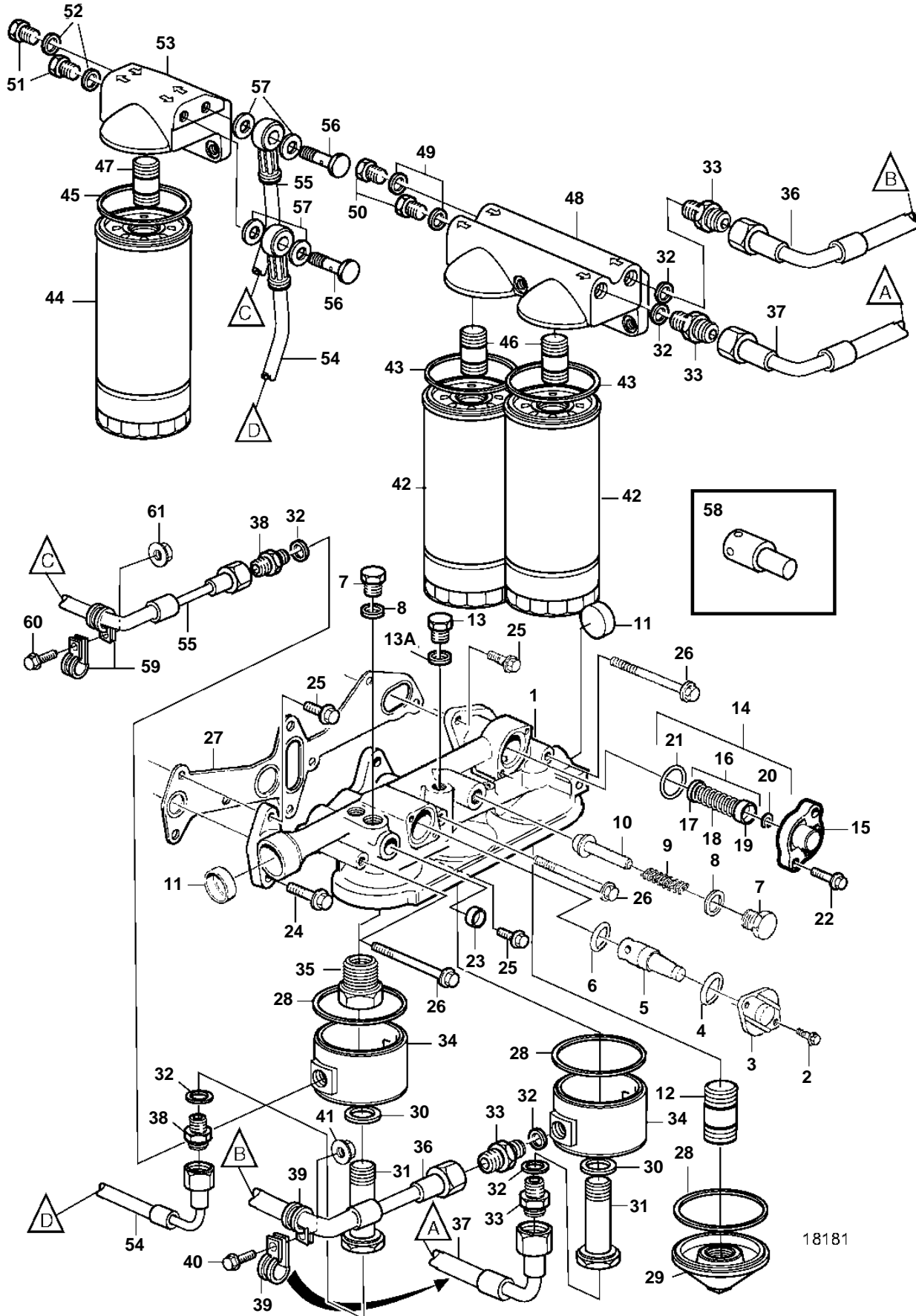


TWD1240VE, TAD1241VE, TAD1242VE, TAD1250VE, TAD1251VE, TAD1252VE



TWD1240VE, TAD1241VE, TAD1242VE, TAD1250VE, TAD1251VE, TAD1252VE

| REF | PART NO. | QTY | DESCRIPTION         | SEE SEC. | NOTES  |
|-----|----------|-----|---------------------|----------|--|
| 1   | 8170274  | 1   | Oil filter housing  |          |  |
| 2   | 946544   | 2   | Flange screw        |          |  |
| 3   | 471648   | 1   | Cover               |          |  |
| 4   | 949659   | 1   | O-ring              |          |  |
| 5   | 471646   | 1   | Reducing valve      |          |  |
| 6   | 469846   | 1   | Sealing ring        |          |  |
| 7   | 471598   | 2   | Plug                |          |  |
| 8   | 947627   | 2   | Gasket              |          |  |
| 9   | 3830138  | 1   | Spring              |          |  |
| 10  | 471085   | 1   | Valve               |          |  |
| 11  | 948812   | 2   | Cap plug            |          |  |
| 12  | 466623   | 1   | Nipple              |          |  |
| 13  | 960632   | 1   | Plug                |          |  |
| 13A | 11998    |     | Gasket              |          |  |
| 14  | 3169689  | 1   | Valve               |          |  |
| 15  | 3184806  | 1   | · Cover             |          |  |
| 16  |          | 1   | · Reducing valve    |          |  |
| 17  |          | 1   | · · Valve           |          |  |
| 18  |          | 1   | · · Spring          |          |  |
| 19  |          | 1   | · · Valve guide     |          |  |
| 20  | 955964   | 1   | · Snap ring         |          |  |
| 21  | 949659   | 1   | · O-ring            |          |  |
| 22  | 947542   | 2   | Screw               |          |  |
| 23  | 946778   | 1   | Cap plug            |          |  |
| 24  | 947760   | 1   | Flange screw        |          | Used when oil filler is mounted on right side., L=40mm |
| 25  | 945444   | 5   | Flange screw        |          | L=25mm   |
| 26  | 969225   | 3   | Flange screw        |          | L=120mm  |
| 27  | 8170534  | 1   | Gasket              |          |  |
| 28  | 948981   | 3   | O-ring              |          |  |
| 29  | 3828030  | 1   | Cover               |          |  |
| 30  | 944126   | 2   | O-ring              |          |  |
| 31  | 3827458  | 2   | Nipple              |          |  |
| 32  | 947627   | 6   | Gasket              |          |  |
| 33  | 982254   | 4   | Nipple              |          |  |
| 34  | 3827459  | 2   | Cover               |          |  |
| 35  | 3832512  | 1   | Nipple              |          |  |
| 36  | 3830932  | 1   | Oil hose            |          |  |
| 37  | 3830882  | 1   | Oil hose            |          |  |
| 38  | 982981   | 2   | Nipple              |          |  |
| 39  | 945081   | 4   | Clamp               |          |  |
| 40  | 947760   | 2   | Flange screw        |          |  |
| 41  | 945408   | 2   | Flange nut          |          |  |
| 42  | 466634   | 2   | Oil filter          |          |  |
| 43  |          | 2   | · Gasket            |          |  |
| 44  | 477556   | 1   | Oil filter, by-pass |          |  |
| 45  |          | 1   | · Gasket            |          |  |
| 46  | 466623   | 2   | Nipple              |          |  |
| 47  | 469904   | 1   | Nipple              |          |  |
| 48  | 11031901 | 1   | Oil filter housing  |          |  |
| 49  | 947627   | 2   | Gasket              |          |  |
| 50  | 960634   | 2   | Plug                |          |  |
| 51  | 960630   | 2   | Plug                |          |  |
| 52  | 969011   | 2   | Gasket              |          |  |
| 53  | 11127104 | 1   | Oil filter housing  |          |  |
| 54  | 3832697  | 1   | Hose                |          |  |
| 55  | 3832698  | 1   | Oil hose            |          |  |
| 56  | 25167    | 2   | Hollow screw        |          |  |
| 57  | 969011   | 4   | Gasket              |          |  |
| 58  |          | 2   | Reducing valve      | 4684     |  |
| 59  | 949747   | 4   | Clamp               |          |  |
| 60  | 946671   | 3   | Flange screw        |          |  |
| 61  | 945408   | 3   | Flange nut          |          |  |